

IL 15

Inductive Conductivity sensor

- Corrosion resistant
- Dirt resistant
- Small robust construction



IL 15

Applications



Process Water



Cooling water



Waste Water Treatment

Description

Conductivity sensor for the inductive conductivity measurement in Polypropylene (PP) with two internal, circular measuring coils. The sensor is delivered with 6 m cable and internal temperature sensor.



IL 15

Inductive Conductivity sensor

Technical data

Measuring parameter

Conductivity (inductive)	0.000.. 2.000 mS/cm
	0.00.. 20.00 mS/cm
	0.0.. 200.0 mS/cm
	0.. 2000 mS/cm

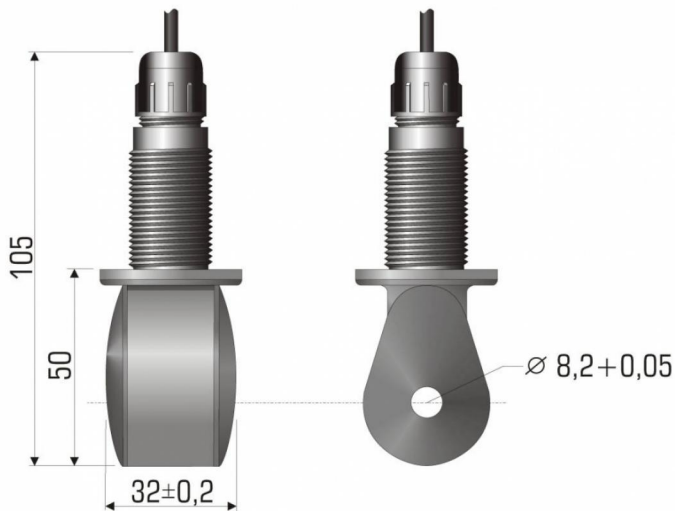
Ambient conditions

Max. pressure	10 bar (at 20 °C)
---------------	-------------------

Mechanical construction

Shaft material	PP
Process connection	G1/2 male thread
Temperature sensor	NTC

Mechanical drawing



IL 15



IL 15

Inductive Conductivity sensor

Storage version

Article number	type/configuration	Description
26164025K	IL 15	Inductive conductivity sensor, incl. 6 m cabel

