

Zirkon® pH fluoride

... for fluorid containing media

- Fluoride resistant
- Low maintenance by gel filling / Long life expectancy by refillable reference electrode
- Made in Germany



205011320



205072100



205012320

Applications



Fluoride Containing Media

Description

Sensors of the series Zirkon® pH fluoride are developed for the application in fluoride containing media. The special glass is resistant up to 500 mg/l fluoride. The sensors are mainly used in the semiconductor industry. The sensor design such as like reference electrode and junction are mainly determined by the water characteristics.



Zirkon® pH fluoride

... for fluorid containing media

Technical data

Measuring parameter

pH-value 1.. 11 pH

Ambient conditions

Temperature 0.. 60 °C

Conductivity **3M KCl** > 50 µS/cm **Tepox gel** > 150 µS/cm

Pressure **plug PG** 0.. 10 bar at 20°C **PG 13.5 loose** < 1 bar at 20 °C **KCl pressure attachment** < 6 bar at 20°C

Pressure **PTFE** < 10 bar at 20°C **hole** < 1 bar pressureless **Zircon** < 2 bar at 20°C **platinum** < 2 bar at 20°C

Mechanical construction

Junction Zircon, PTFE, platinum, hole

Shaft material Glass

Mechanical Construction 120 mm, 160 mm, 225 mm

Electrode material S-glass-ball

Reference system Ag/AgCl/3M KCl, Ag/AgCl/Tepox gel Ag/AgCl/solid electrolyte

Internal buffer pH 7

Process connection S8 plug (swivel PG 13.5), S7 plug, Variopin (swivel PG 13.5), fixed cable

Electrical connection 2 or 6 pole connection

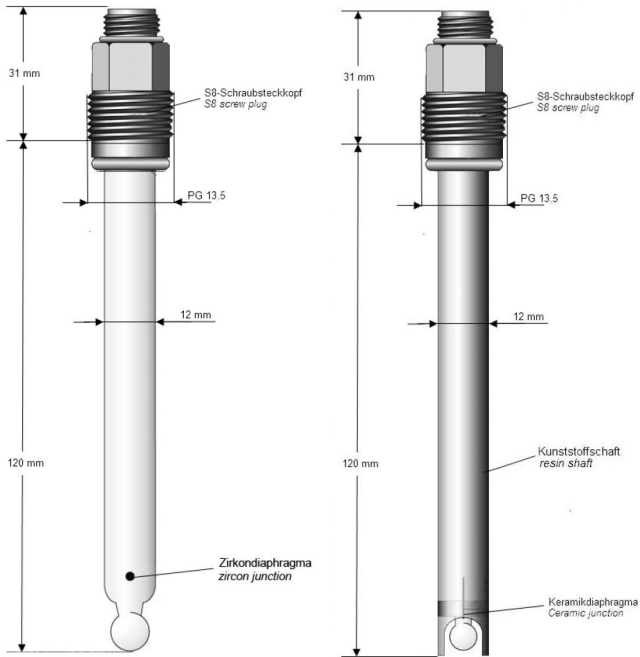
Temperature sensor none, Pt100, Pt1000



Zirkon® pH fluoride

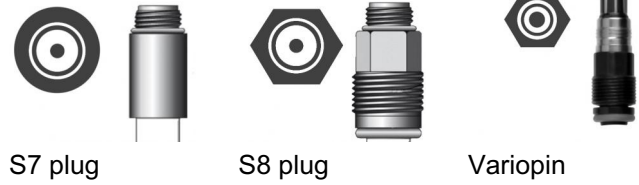
... for fluorid containing media

Mechanical drawing



205012100

205012103



S7 plug

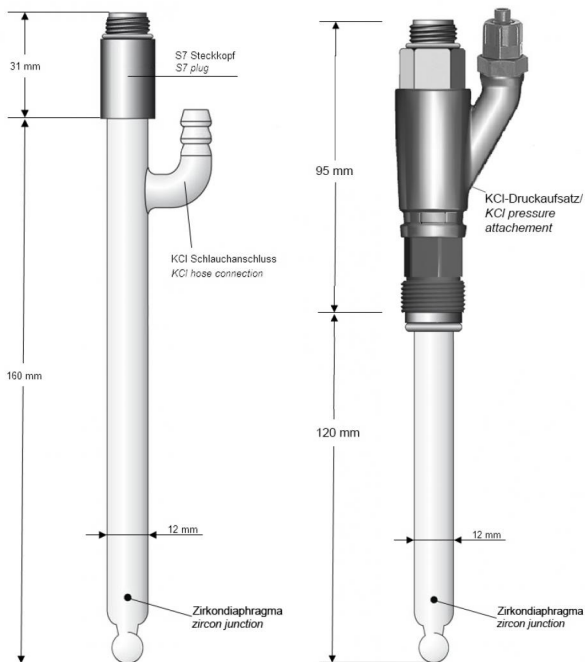
S8 plug

Variopin



PTFE

hole



205011320

204011104



S7 Stecker

S8 plug

Variopin



circon



Zirkon® pH fluoride

... for fluorid containing media

Order information

| | | |
|--|-----|--|
| Gruppe group | | |
| | 205 | Zirkon® pH fluoride |
| Temperatursensor temperature probe | | |
| | 0 | kein <i>none</i> |
| | 1 | Pt 100 |
| | 2 | Pt 1000 |
| | 9 | Sonder <i>special</i> |
| Diaphragma junction | | |
| | 1 | Zirkon <i>zircon</i> |
| | 3 | Platin <i>platinum</i> |
| | 7 | PTFE |
| | 8 | Loch <i>hole</i> |
| | 9 | Sonder <i>special</i> |
| Elektrolyt electrolyte | | |
| | 1 | 3M KCl flüssig <i>3M KCl liquid</i> |
| | 2 | Tepoxgel <i>Tepox gel</i> |
| | 3 | gesättigt KCl mit Salzvorrat <i>saturated KCl with salt reservoir</i> |
| | 9 | Sonder <i>special</i> |
| Anschluss connection | | |
| | 1 | S8 Stecker (PG 13,5 - drehbar) <i>S8 plug (swivel PG 13,5)</i> |
| | 3 | S7 Stecker <i>S7 plug</i> |
| | 6 | VP Variopin Stecker <i>VP Variopin plug</i> |
| | 7 | Festangeschlossenes Kabel <i>fixed cable</i> |
| | | Preis pro m rauscharmes Koaxkabel <i>price per m low-noise coax cable</i> |
| | | Preis pro m rauscharmes Triakabel <i>price per m low-noise triax cable</i> |
| | 9 | Sonder <i>special</i> |
| Länge length | | |
| | 0 | 120 mm |
| | 2 | 160 mm |
| | 4 | 225 mm |
| | 9 | Sonderlänge <i>special length</i> |
| Sonder special | | |
| | 0 | Kein <i>none</i> |
| | 1 | IP 2 |
| | 4 | KCl-Druckaufsatz <i>KCl pressure attachment</i> |
| | K | Kabellänge <i>cable length</i> |
| | | Beispiel: Ein Meter = K01, 10 Meter = K10 <i>Example: one meter = K01, 10 meter = K10</i> |
| | 9 | Sonder <i>special</i> |

If possible, choose items listed under "storage versions" or "assembly versions" for your orders. We will have to technically inspect and approve a free combination of individual key features.



Zirkon® pH fluoride

... for fluorid containing media

Storage version

| Article number | type/configuration | Description |
|----------------|--------------------|---|
| 24132410K | 205012100 | pH sensor: zircon junction, Tepox gel, S8 plug (swivel PG 13.5), 120 mm |
| 24132400K | 205012320 | pH sensor: zircon junction, Tepox gel, S7 plug, 160 mm |
| 24132420K | 205072100 | pH sensor: PTFE junction, Tepox gel, S8 plug (swivel PG 13.5), 120 mm |

Assembly version

| Article number | type/configuration | Description |
|----------------|--------------------|---|
| 24132300K | 205011320 | pH sensor: zircon junction, 3M KCl, S7 plug, 160 mm |



Zirkon® pH fluoride

... for fluorid containing media

Accessories accessories



pH buffer solutions

The slope of pH sensors changes over the time (depending on the measuring media). We recommend a regular calibration with our buffer solutions. We offer 1000 ml packages of pH 2, pH 3.56, pH 4, pH 7, and pH 9.22, and 50 ml packages of pH 4, and pH 7.



KCl-Solution 3 mol

The KCl solution (3 mol) can be used for storage or refilling of pH-sensor. The pH-membranes need to be moistured during storage best with 3 mol KCl solution. Available in 1000 ml packaging



KCl vessel set

Vessel-set for KCl liquid-filled pH or ORP sensors. The installation is possible on a wall or in the immersion assembly GE 23/3.

